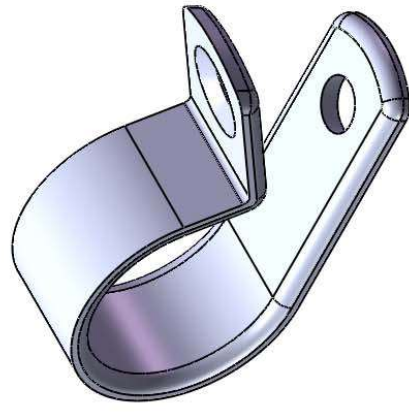
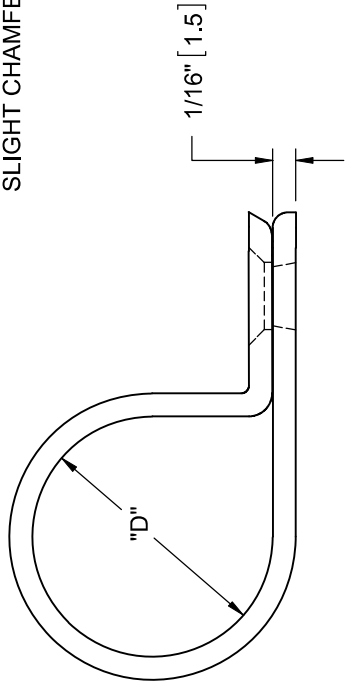


11/64 [4.4] DIA.
 (1/8 [3.2] FOR N1 ONLY)
 SOME PARTS MAY HAVE
 SLIGHT CHAMFER ON HOLE



SHOWN AS MOLDED

PART NO.		"D" HOLDING DIA.	"E" REF.
RMS-01 NATURAL	RMS-01 BLACK		
N-1	N-1-BK	1/16 [1.6]	.27 [6.7]
N-2	N-2-BK	1/8 [3.2]	21/64 [8.3]
N-3	N-3-BK	3/16 [4.8]	25/64 [9.9]
N-4	N-4-BK	1/4 [6.4]	27/64 [10.7]
N-5	N-5-BK	5/16 [7.9]	29/64 [11.5]
N-6	N-6-BK	3/8 [9.5]	31/64 [12.3]
N-7	N-7-BK	7/16 [11.1]	17/32 [13.5]
N-8	N-8-BK	1/2 [12.7]	9/16 [14.3]

- NOTES:
1. MATERIAL: NYLON 6/6 UL 94 V-0 (RMS-19).COLOR NATURAL, AVAILABLE BY SPECIAL ORDER ONLY. TO ORDER ADD "-19" TO THE END OF PART NUMBER.
 2. MATERIAL: NYLON 6/6 UL 94 V-2, UV STABILIZED (RMS-46), COLOR BLACK, AVAILABLE BY SPECIAL ORDER ONLY. TO ORDER REPLACE "-BK" WITH "-UVB"
 3. RECOMMENDED SCREW SIZE IS #8 [M4], (#4 [M2.5] FOR N-1).

G		SEE CO.200152 FOR CHANGES	SK	04/03/08
REV.		DESCRIPTION	ENGR.	DATE
-		SEE ENGINEERING FOR REV A-F	-	-
TITLE: CABLE CLAMP, N SERIES DWG IN IN [MM] FINAL PART # SEE TABLE PRINT TYPE CA				
CREATED USING SHEET NO. 1 OF 1 TOLERANCES UNLESS NOTED .XX±.010 .XXX±.005 FRAC.=±1/64 ANG.=±1°		FILE #: N-SERIES DWN: S.K. DT: 04/01/08 SHEET SIZE: A RE: RICHCO, INC.	APP: R.G. CHKD: S.J. RICHCO, INC. ENG@RICHCO-INC.COM (773) 539-4060	DWG IN IN [MM] FINAL PART # SEE TABLE PRINT TYPE CA